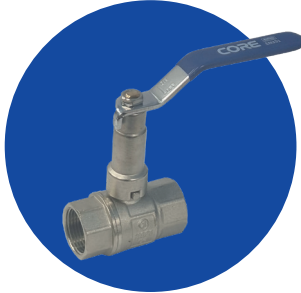


CORE 750 EXT

PN40 Brass Ball Valve complete with Thermal Extension



Features

- Screwed BSP Parallel (ISO 228/1)
- Anti-blow-out stem
- Full bore
- Standard lever, locking lever and tee handles (1/4" to 1" only) options also available
- For details on handles refer to the Ball Valve Accessory datasheet

EN331



GAS APPROVED

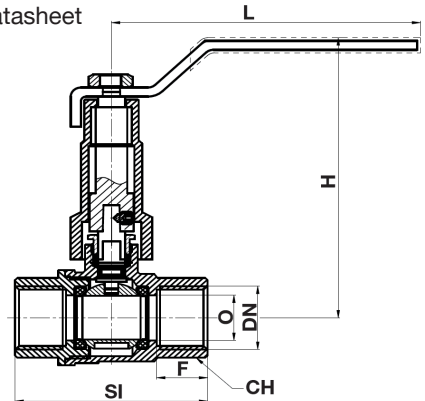


Technical data

Max pressure: 1/2" - 2" 40 Bar
Working temp: -20°C to +140°C

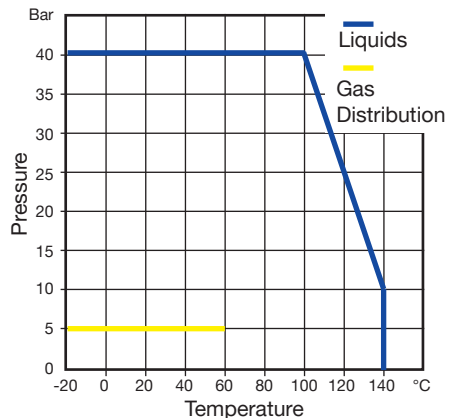
Technical data - Gas distribution

Max pressure: 1/2" - 2" 5 Bar
Working temp: -20°C to +60°C



DN	1/2"	3/4"	1"	1 1/4"	1 1/2"	2"
O	14.5	19.0	24.5	31.5	39.5	49.5
F	15.0	18.0	19.5	20.0	21.0	26.5
SI	57	67	77	88	99	121
H	93	96	112	140	146	157
L	88	100	125	140	140	165
CH	24.9	31.7	37.5	46.4	52.5	65.1
Kv	16	30	48	100	170	230
Kgs	0.30	0.36	0.56	0.86	1.20	1.70

Part Name	Materials
Body	Brass / Nickel Plated CW617N
Bonnet	Brass / Nickel Plated CW617N
Seat	PTFE
Ball	Brass / Chrome Plated CW617N
Stem	Brass CW617N
Handle	Carbon Steel A3
Nut	Carbon Steel A3
Packing	PTFE
O-Ring	NBR
Lock Nut	Brass CW617N
Extended Sleeve	Brass
Extended Spindle	Brass
Screw	Stainless Steel



V1. Dimensions in mm

This data sheet is designed as a guide and should not be regarded as wholly accurate in every detail. We reserve the right to amend the specification of any product without notice.